

General Description

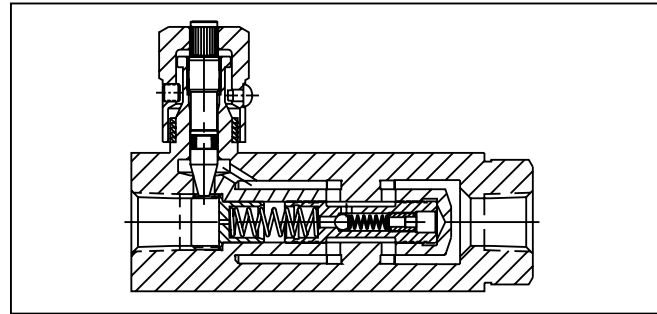
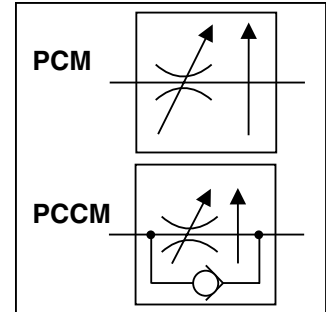
Series PCM pressure compensated flow control valves are designed to regulate flow at a selected rate, within 5%, regardless of fluctuations in inlet and outlet pressure.

Operation

Series PCM valves can be adjusted for required flows after being installed.

Features

- Available with reverse flow check.
- The exclusive “Colorflow” color-band reference scale on the valve stem is a great convenience and time-saver in setting the valve originally and in returning it to any previous setting.
- A simple set screw locks the valve on any desired setting.
- A tamperproof option (T) feature is also available to prevent accidental or intentional adjustment of flow setting.



Specifications

	PC*M400S PC*M620S	PC*M600S PC*M820S	PC*M800S PC*M1020S	PC*M1200S PC*M1220S	PC*M1600S PC*M1620	PC*M2000S
Maximum Operating Pressure	207 Bar (3000 PSI)					
Minimum Pressure to Compensate	6.9 Bar (100 PSI)	6.9 Bar (100 PSI)	6.9 Bar (100 PSI)	10.4 Bar (150 PSI)	10.4 Bar (150 PSI)	10.4 Bar (150 PSI)
Operating Temperature	-40°C to +121°C (-40°F to +250°F) Nitrile (standard) -26°C to +205°C (-15°F to +400°F) Fluorocarbon					
Mounting			Inline			
Maximum Flow	11 LPM (3 GPM)	23 LPM (6 GPM)	57 LPM (15 GPM)	95 LPM (25 GPM)	189 LPM (50 GPM)	303 LPM (80 GPM)
Minimum. Flow	1 LPM (0.3 GPM)	2 LPM (0.6 GPM)	6 LPM (1.5 GPM)	10 LPM (2.5 GPM)	19 LPM (5.0 GPM)	30 LPM (8 GPM)
Reverse Flow, Maximum thru Check	19 LPM (5 GPM)	30 LPM (8 GPM)	76 LPM (20 GPM)	132 LPM (35 GPM)	227 LPM (60 GPM)	378 LPM (100 GPM)
Pressure Drop, ΔP at Maximum Reverse Flow thru Check	3 Bar (40 PSI)	3 Bar (40 PSI)	PC*M800S: 8 Bar (116 PSI) PC*M1020S: 3 Bar (40 PSI)	PC*M1200S: 8 Bar (116 PSI) PC*M1220S: 3 Bar (40 PSI)	10 Bar (140 PSI)	11 Bar (155 PSI)
Port Size (in.)	PC*M400S: 1/4 NPTF PC*M620S: 9/16-18 UNF (SAE 6)	PC*M600S: 3/8 NPTF PC*M820S: 3/4-16 UNF (SAE 8)	PC*M800S: 1/2 NPTF PC*M1020S: 7/8-14 UNF (SAE 10)	PC*M1200S: 3/4 NPTF PC*M1220S: 1-1/16-12 UN (SAE 12)	PC*M1600S: 1 NPTF PC*M1620: 1-15/16-12 UN (SAE 16)	PC*M2000S: 1 1/4" NPTF

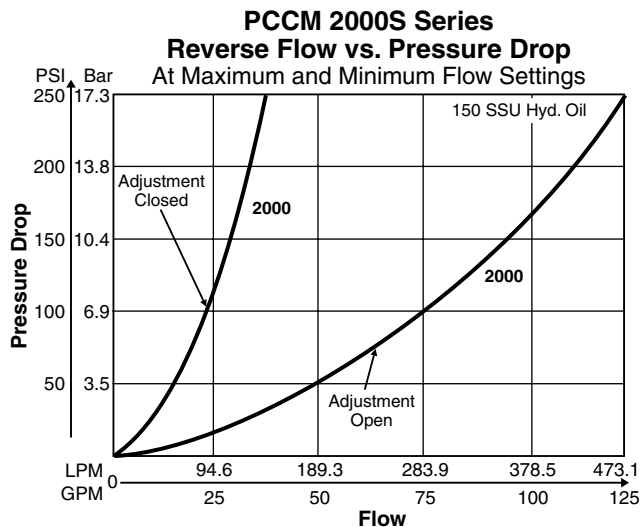
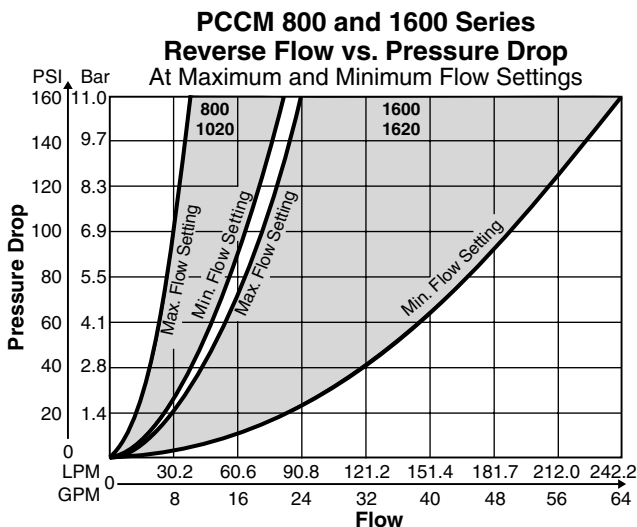
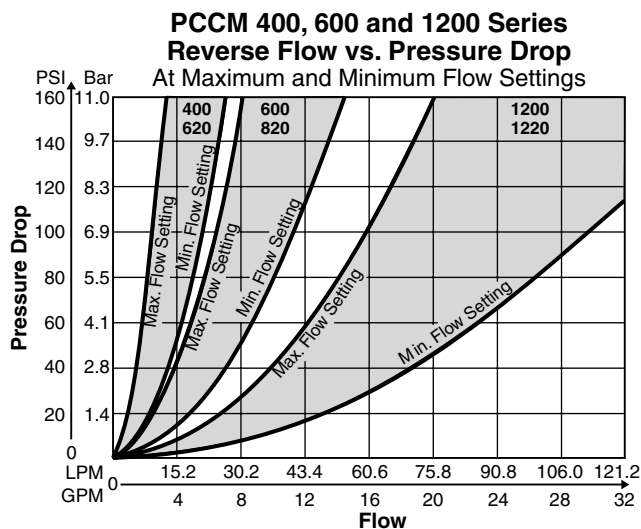
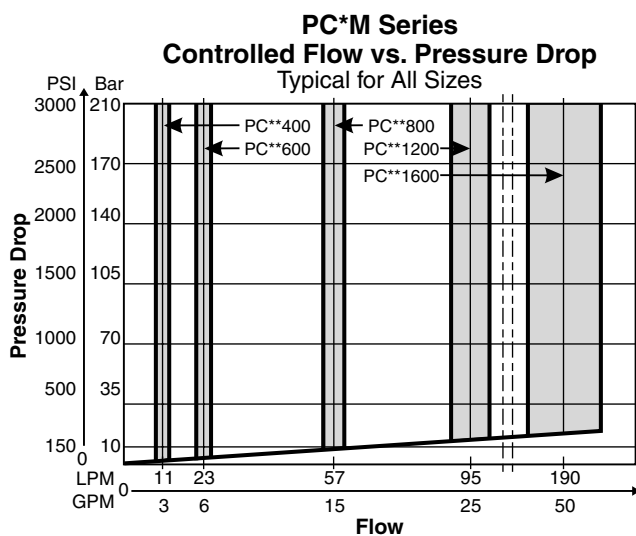
For optional reverse-flow check, insert “C” in model number at asterisk ().



Ordering Information

<div style="border: 1px solid black; width: 30px; height: 30px; margin: 0 auto;"></div> <p>Options</p>	<div style="border: 1px solid black; width: 30px; height: 30px; display: flex; align-items: center; justify-content: center;"> PC </div> <p>Pressure Compensated Flow Control</p>	<div style="border: 1px solid black; width: 30px; height: 30px; margin: 0 auto;"></div> <p>Reverse Check</p>	<div style="border: 1px solid black; width: 30px; height: 30px; display: flex; align-items: center; justify-content: center;"> M </div> <p>Adjustable Flow</p>	<div style="border: 1px solid black; width: 30px; height: 30px; margin: 0 auto;"></div> <p>Size</p>	<div style="border: 1px solid black; width: 30px; height: 30px; margin: 0 auto;"></div> <p>Material</p>	<div style="border: 1px solid black; width: 30px; height: 30px; margin: 0 auto;"></div> <p>Adjustable Knob Options</p>	<div style="border: 1px solid black; width: 30px; height: 30px; margin: 0 auto;"></div> <p>Seals</p>	<div style="border: 1px dashed black; width: 30px; height: 30px; margin: 0 auto;"></div> <p>Design Series</p> <p>NOTE: Not required when ordering.</p>																																																			
<table border="0" style="width: 100%;"> <thead> <tr> <th style="text-align: left;">Code</th> <th style="text-align: left;">Description</th> </tr> </thead> <tbody> <tr> <td>Omit</td> <td>NPTF/SAE</td> </tr> <tr> <td>★ 9</td> <td>BSPB</td> </tr> </tbody> </table> <p>★ Code 9 can be used with sizes 400, 600, 800, 1200, 1600</p>	Code	Description	Omit	NPTF/SAE	★ 9	BSPB	<table border="0" style="width: 100%;"> <thead> <tr> <th style="text-align: left;">Code</th> <th style="text-align: left;">Description</th> </tr> </thead> <tbody> <tr> <td>Omit</td> <td>Without</td> </tr> <tr> <td>C</td> <td>Check</td> </tr> </tbody> </table>	Code	Description	Omit	Without	C	Check	<table border="0" style="width: 100%;"> <thead> <tr> <th style="text-align: left;">Code</th> <th style="text-align: left;">Size</th> </tr> </thead> <tbody> <tr> <td>400</td> <td>1/4"</td> </tr> <tr> <td>600 *</td> <td>3/8"</td> </tr> <tr> <td>620</td> <td>#6 SAE</td> </tr> <tr> <td>800 *</td> <td>1/2"</td> </tr> <tr> <td>820 *</td> <td>#8 SAE</td> </tr> <tr> <td>1020</td> <td>#10 SAE</td> </tr> <tr> <td>1200</td> <td>3/4"</td> </tr> <tr> <td>1220</td> <td>#12 SAE</td> </tr> <tr> <td>1600</td> <td>1"</td> </tr> <tr> <td>1620</td> <td>#16 SAE</td> </tr> </tbody> </table> <p>* Available in Stainless Steel</p>	Code	Size	400	1/4"	600 *	3/8"	620	#6 SAE	800 *	1/2"	820 *	#8 SAE	1020	#10 SAE	1200	3/4"	1220	#12 SAE	1600	1"	1620	#16 SAE	<table border="0" style="width: 100%;"> <thead> <tr> <th style="text-align: left;">Code</th> <th style="text-align: left;">Description</th> </tr> </thead> <tbody> <tr> <td>Omit</td> <td>Standard Knob</td> </tr> <tr> <td>T *</td> <td>Tamperproof</td> </tr> <tr> <td>F</td> <td>Finger Screw</td> </tr> </tbody> </table> <p>* Not available above 1200 size.</p>	Code	Description	Omit	Standard Knob	T *	Tamperproof	F	Finger Screw	<table border="0" style="width: 100%;"> <thead> <tr> <th style="text-align: left;">Code</th> <th style="text-align: left;">Description</th> </tr> </thead> <tbody> <tr> <td>Omit</td> <td>Nitrile (Standard)</td> </tr> <tr> <td>V</td> <td>Fluorocarbon</td> </tr> </tbody> </table>	Code	Description	Omit	Nitrile (Standard)	V	Fluorocarbon	<table border="0" style="width: 100%;"> <thead> <tr> <th style="text-align: left;">Code</th> <th style="text-align: left;">Description</th> </tr> </thead> <tbody> <tr> <td>S</td> <td>Steel</td> </tr> <tr> <td>SS</td> <td>Stainless Steel</td> </tr> </tbody> </table>	Code	Description	S	Steel	SS	Stainless Steel
Code	Description																																																										
Omit	NPTF/SAE																																																										
★ 9	BSPB																																																										
Code	Description																																																										
Omit	Without																																																										
C	Check																																																										
Code	Size																																																										
400	1/4"																																																										
600 *	3/8"																																																										
620	#6 SAE																																																										
800 *	1/2"																																																										
820 *	#8 SAE																																																										
1020	#10 SAE																																																										
1200	3/4"																																																										
1220	#12 SAE																																																										
1600	1"																																																										
1620	#16 SAE																																																										
Code	Description																																																										
Omit	Standard Knob																																																										
T *	Tamperproof																																																										
F	Finger Screw																																																										
Code	Description																																																										
Omit	Nitrile (Standard)																																																										
V	Fluorocarbon																																																										
Code	Description																																																										
S	Steel																																																										
SS	Stainless Steel																																																										

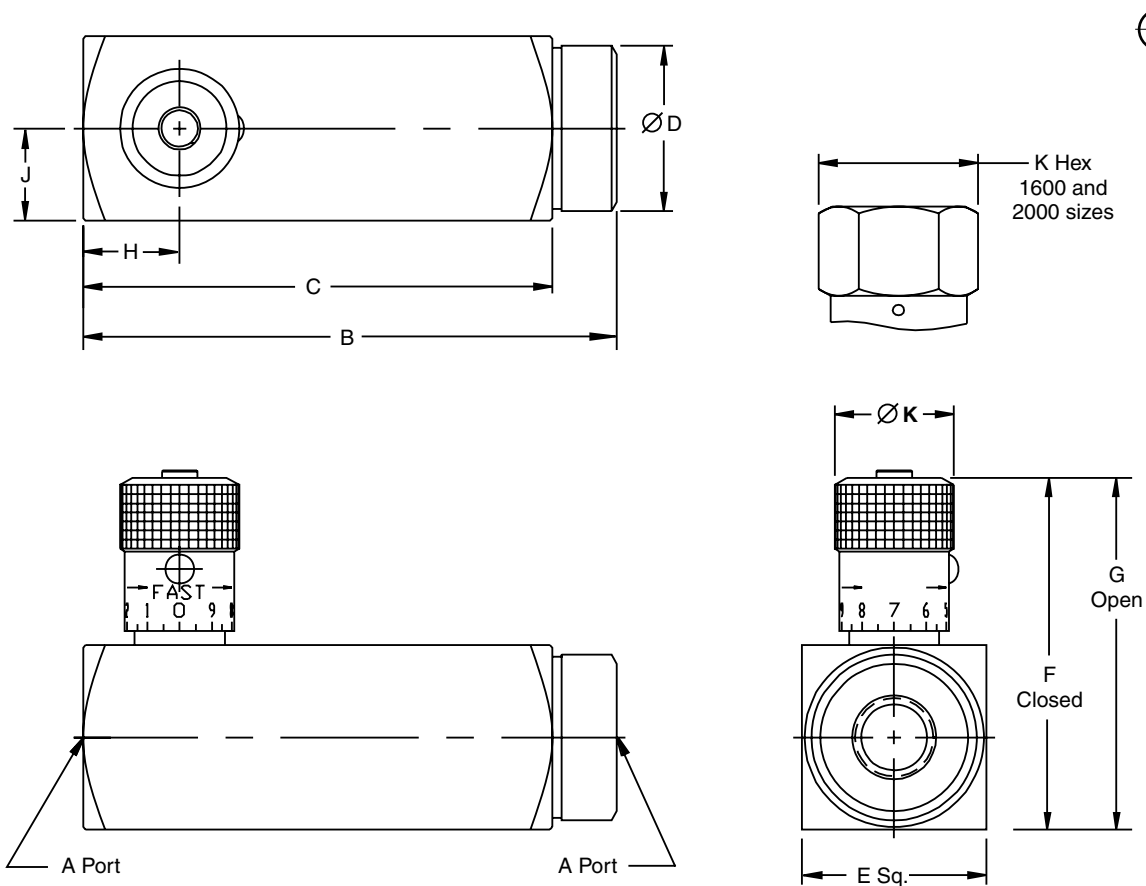
Performance Curves



2502-G1.p65, dd



Inch equivalents for millimeter dimensions are shown in (**)



Model Number	Weights kg (lbs.)	A	B	C	D	E	F	G	H	J	K
PC*M400/620	0.8 (1.8)	1/4-18 NPTF 9/16-18 UNF	92.2 (3.63)	81.0 (3.19)	28.7 (1.13)	35.1 (1.38)	64.0 (2.52)	69.3 (2.73)	16.8 (0.66)	17.5 (0.69)	20.6 (0.81)
PC*M600/820	1.0* (2.3)*	3/8-18 NPTF 3/4-16 UNF	105.7 (4.16)	93.0 (3.66)	31.8 (1.25)	38.1 (1.50)	73.7 (2.90)	80.0 (3.15)	17.5 (0.69)	19.1 (0.75)	25.4 (1.00)
PC*M800/1020	1.7 (3.7)	1/2-14 NPTF 7/8-14 UNF	125.5 (4.94)	109.5 (4.31)	38.1 (1.50)	44.5 (1.75)	95.0 (3.74)	102.6 (4.04)	22.4 (0.88)	22.4 (0.88)	30.2 (1.19)
PC*M1200/1220	3.6 (8.0)	3/4-14 NPTF 1 1/16-12 UNF	149.4 (5.88)	130.3 (5.13)	50.8 (2.00)	57.2 (2.25)	115.8 (4.56)	128.5 (5.06)	27.7 (1.09)	28.7 (1.13)	35.1 (1.38)
PC*M1600/1620	6.6 (14.5)	1-11 1/2 NPTF 1 5/16-12 UNF	176.3 (6.94)	155.7 (6.13)	63.5 (2.50)	69.9 (2.75)	158.2 (6.23)	175.3 (6.90)	33.3 (1.31)	35.1 (1.38)	47.8 (1.88)
PC*M2000	11.8 (26.0)	1 1/4-11 1/2 NPTF	212.9 (8.38)	190.5 (7.50)	76.2 (3.00)	88.9 (3.50)	182.1 (7.17)	201.2 (7.92)	41.4 (1.63)	44.5 (1.75)	47.8 (1.88)

* Weights are for PC*M600; weights for PC*M820 are 1.4 kg (3.1lbs.)

